

ROBUS[®]

QUALITY PRODUCTS BY LED GROUP

DIMMABLE FIRE RATED LED DOWNLIGHT

RF7LEDDWW-01, RF7LEDDWW-13
RF7LEDDCW-01, RF7LEDDCW-13

**Please read instructions before commencing installation
and retain for future reference.**

Specification:

Model No.	RF7LEDDWW	RF7LEDDCW
Supply Voltage:	220-240V~50/60Hz	220-240V~50/60Hz
Power Consumption:	9w	9w
Lumen Output:	590lm	600lm
Colour Temperature:	3000k	4000k
CRI:	>80	>80
Beam Angle:	38°	38°
Power Factor:	0.98	0.98
Operating Temp Range:	-10°C ~ 25°C	-10°C ~ 25°C
IP Rating:	44	44
Driver Safety Classification:	Class II	Class II
Luminaire Safety Classification:	Class III	Class III
Overall Diameter:	90mm	90mm
Depth:	115mm	115mm
Cut-out:	Ø76mm	Ø76mm
Weight:	0.53Kg	0.53Kg
Warranty:	3 year	3 year
Installation:	Recessed mounting	Recessed mounting

Suitable for mounting on normally flammable surface
LED Downlight with White or brushed chrome trim, available with Warm White and Cool White LEDs

Installation:

!Electrical products can cause death or injury, or damage to property. If in any doubt about the installation or use of this product, consult a competent electrician.

- 1 Ensure mains supply is switched off
- 2 Mark ceiling with appropriate cut-out size
- 3 Before cutting, ensure that the hole does not impinge on joists, pipe work, cables or other building services
- 4 Ensure there is at least 200mm of free space around and 100mm above the luminaire. Do not cover the luminaire with thermal insulation
- 5 Connect the luminair cable to the driver by the connector
- 6 Connect power supply output to fitting terminals of the driver (Brown - Live, Blue - Neutral) and offer the driver up to cut-out
- 7 Hold single springs vertically against the side of the fitting, push terminal block and fitting into the cut-out. Once the top of the springs are through the cut out release the springs and allow the fitting to be pulled into the ceiling void.
- 8 Single springs can be adjusted by using a pliers to suit different ceiling thicknesses

Information for the Product user

1. Please note the requirement to dispose of Waste Electrical & Electronic Equipment separately from household waste (WEEE marked with crossed out wheelee bin symbol).
2. Please consider your role in contributing to re-use and recycling by returning this product at end of life to a collection centre for waste electrical equipment or a Civic Amenity site, or to a retail outlet from which you are purchasing a replacement.
3. This equipment may contain substances that are hazardous to health and the environment if disposed of carelessly. It is important that it is separated from normal household waste and recycled in the WEEE chain
4. The "crossed out wheelee bin symbol" on a product indicates this equipment must not be disposed of in normal household waste, but should be disposed of according to local WEEE regulations

The Installation must be carried out by an electrician

LED Group
Western Retail Park
Nangor Road
Dublin 12
Ireland
Issue 1 070813

Tel: +353 1 7099000
Fax: +353 1 7099060
Email: info@led.ie
Website: www.led.ie



Installation diagram:

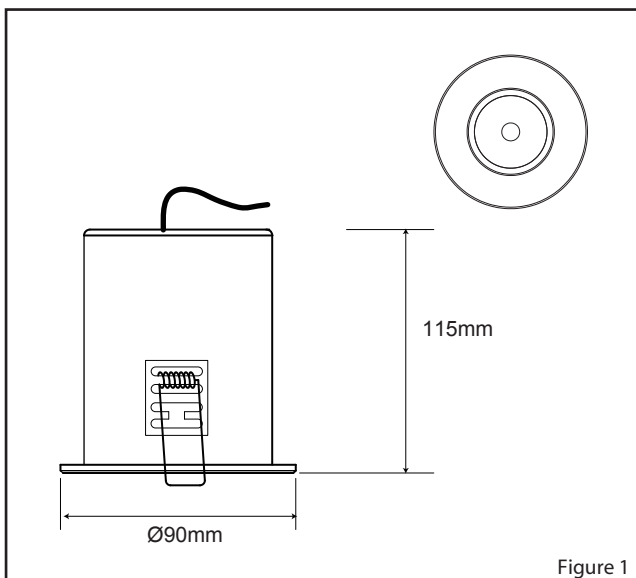


Figure 1

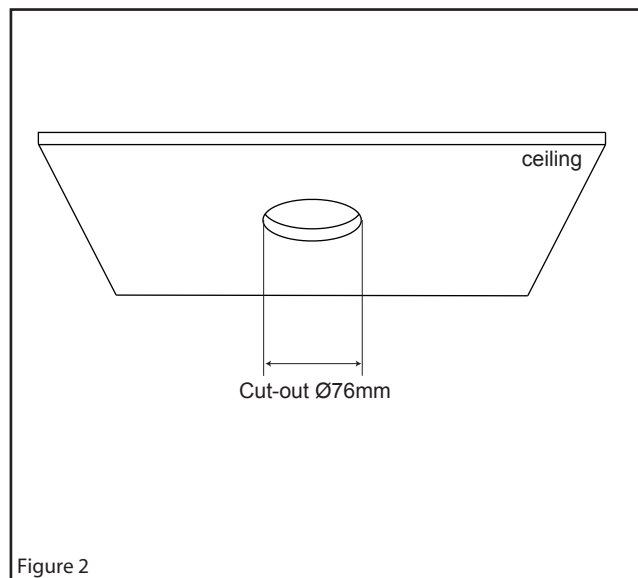


Figure 2

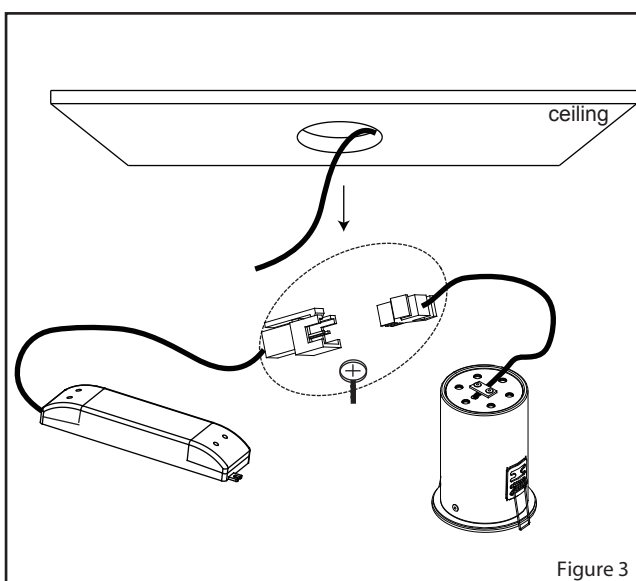


Figure 3

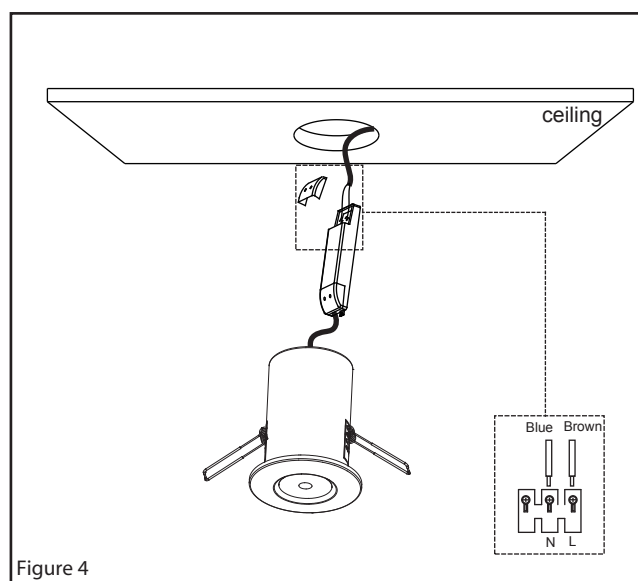


Figure 4

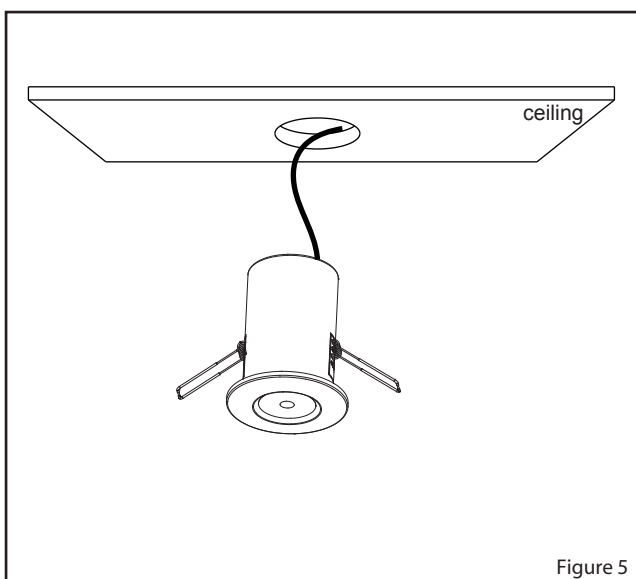


Figure 5

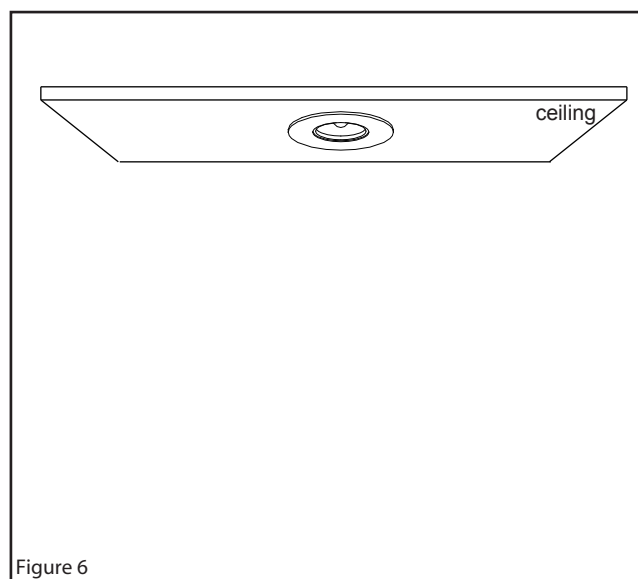


Figure 6

The Installation must be carried out by an electrician

LED Group
 Western Retail Park
 Nangor Road
 Dublin 12
 Ireland

Tel: +353 1 7099000
 Fax: +353 1 7099060
 Email: info@led.ie
 Website: www.led.ie

