

## SPACE 40W LED PANEL 60 x 60CM, 3000/5000K, SILVER

RSP040306060-23, RSP040506060-23

**PLEASE READ INSTRUCTION BEFORE COMMENCING INSTALLATION AND RETAIN FOR FUTURE REFERENCES.**  
**! Electrical products can cause death or injury, or damage to property. If in any doubt about the installation or use of this product, consult a competent electrician**

**Note:**

Product technical information and specification may change over time without prior notification  
For the latest technical information please visit our web site [WWW.ledgrouprobust.com](http://WWW.ledgrouprobust.com) or [robustdirect.com](http://robustdirect.com)

### Specifications

Model No.	RSP040306060-23	RSP040506060-23
Voltage:	100-240V~50/60Hz	100-240V~50/60Hz
Power:	40W	40W
Lumen:	3200lm	4000lm
CCT:	3000K	5000K
CRI :	>80	>80
Beam Angle:	110°	110°
PF:	0.97	0.97
Ta Range:	-20°C < ta < 40°C	-20°C < ta < 40°C
IP Rating :	20	20
Safety Class:	Class III	Class III
Dimensions :	595mm X 595mm	595mm X 595mm
Depth :	9mm	9mm
Weight :	4.2Kg	4.2Kg
Warranty :	5 year	5 year
Installation :	Recessed mounted, Wall mounted, Suspended	

Suitable for mounting on normally flammable surface  
Minimum distance from illuminated object is 0.5 metre  
Driver must never be "hot-plugged" or connected to the fitting when live.  
Doing this may damage the fitting and will void the warranty.

### Installation

1. Ensure mains supply is switched off before commencing work.
  2. Remove 600 x 600 tile from ceiling.
  3. Ensure the area above the fitting is free from obstacle pipes cable tray etc.
  4. Connect Brown wire (live) to L and Blue wire (neutral) to N of the quick fix connector.
  5. Ensure the connections going to and from the driver are secure.
  6. Place connector, drivers and cable into the ceiling void.
  7. Offer luminaire up to the ceiling void and manoeuvre into final position similar to standard ceiling tile.
- This product has no user serviceable parts. If any part is damaged, disconnect from mains and discontinue use.

### Information for the Product user:

1. Please note the requirement to dispose of Waste Electrical & Electronic Equipment separately from household waste (WEEE marked with crossed out wheelee bin symbol).
2. Please consider your role in contributing to re-use and recycling by returning this product at end of life to a collection centre for waste electrical equipment or a Civic Amenity site, or to a retail outlet from which you are purchasing a replacement.
3. This equipment may contain substances that are hazardous to health and the environment if disposed of carelessly. It is important that it is separated from normal household waste and recycled in the WEEE chain
4. The "crossed out wheelee bin symbol" on a product indicates this equipment must not be disposed of in normal household waste, but should be disposed of according to local WEEE regulations

**The Installation must be carried out by an electrician**

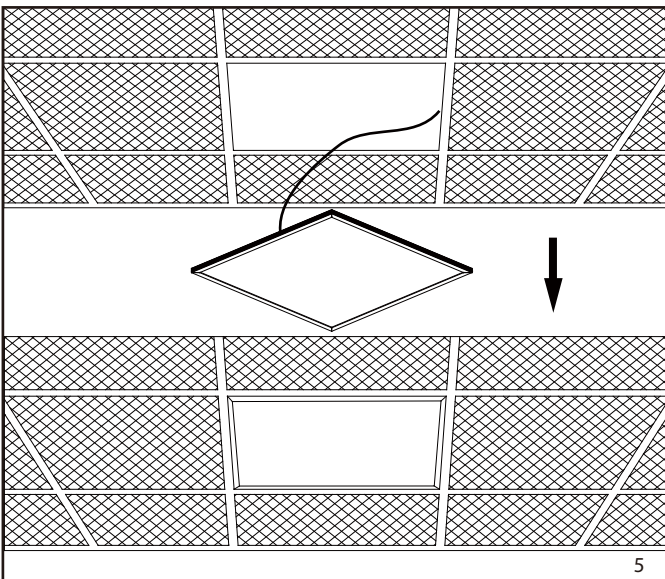
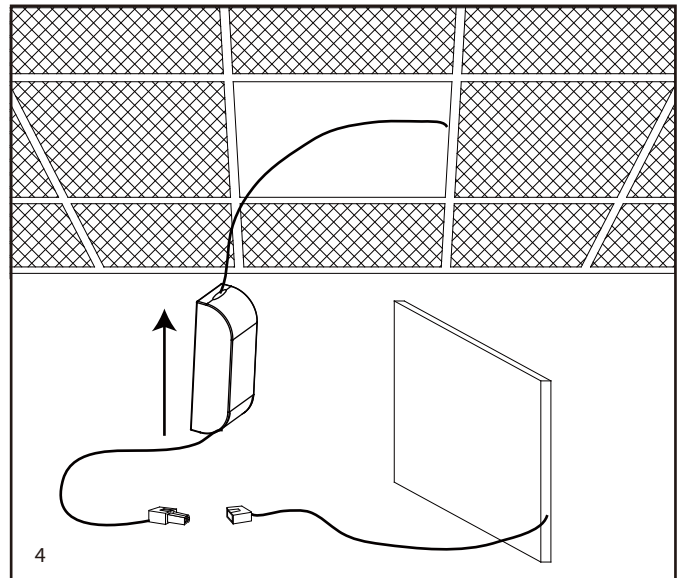
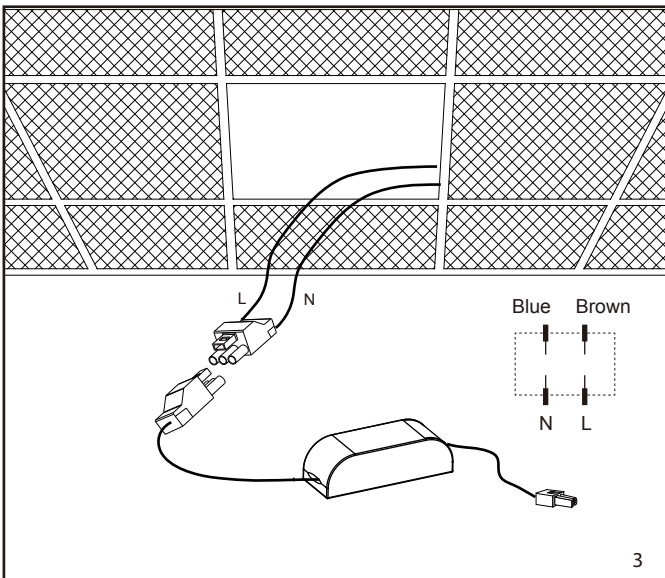
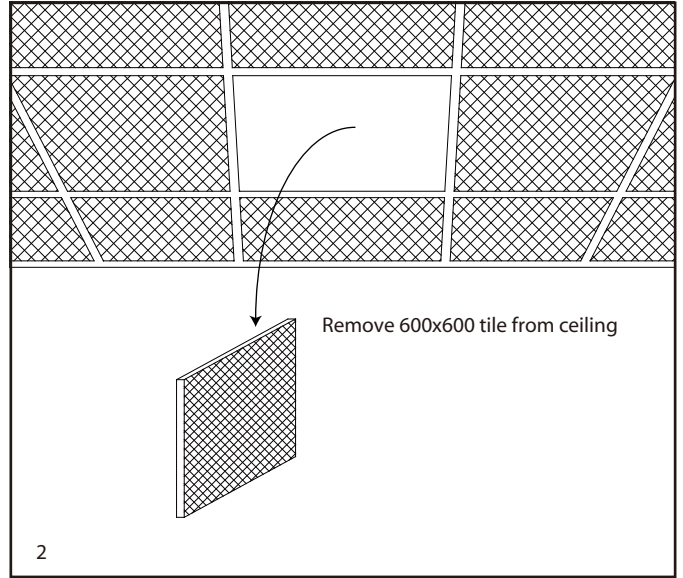
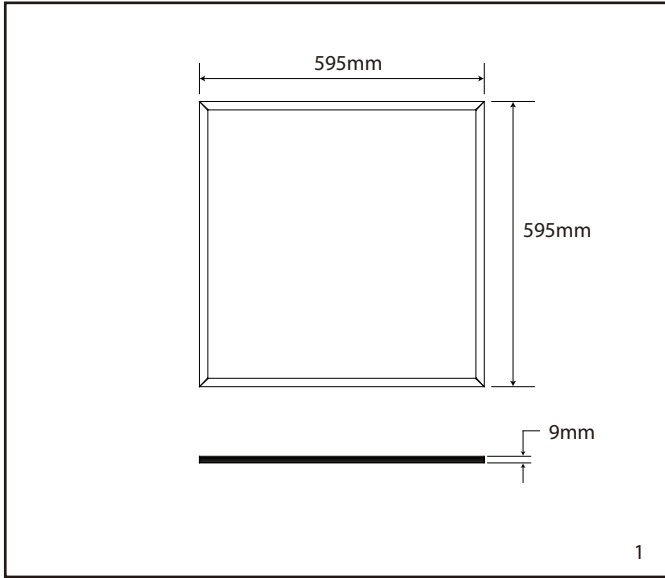
#### LED Group

Western Retail Park  
Nangor Road  
Dublin 12  
Ireland  
Issue 1 040914

Tel: +353 1 7099000  
Fax: +353 1 7099060  
Email: [info@led.ie](mailto:info@led.ie)  
Website: [www.led.ie](http://www.led.ie)



# Specifications



**The Installation must be carried out by an electrician**

**LED Group**  
Western Retail Park  
Nangor Road  
Dublin 12  
Ireland  
Issue 1 040914

Tel: +353 1 7099000  
Fax: +353 1 7099060  
Email: info@led.ie  
Website: www.led.ie

