

ROBUS®

QUALITY PRODUCTS BY LED GROUP

WILSON 13W CIRCULAR ADJUSTABLE WALL WASHER, 4000K, WHITE RWL01340-01

Please read instruction before commencing installation and retain for future reference.

Specification:

Model No.	RWL01340-01
Supply Voltage:	100-240V~ 50/60Hz
Power Consumption:	13W
Lumen Output:	1050lm
Colour Temperature:	4000K
CRI:	>80
Beam Angle:	60
Power Factor:	>0.9
Operating Temp Range:	-10°C < ta < 40°C
IP Rating:	20
Safety Classification:	Class II
Depth:	70mm
Diameter:	98mm
Cut-out:	85mm
Weight:	0.47Kg
Warranty:	3 years
Installation:	Recessed mounting

Suitable for mounting on normally flammable surface
Warning! To prevent overheating, neither the fitting nor its driver may be covered by thermal insulation.
Driver must never be "hot-plugged" or connected to the fitting when live.
Doing this may damage the fitting and will void the warranty.

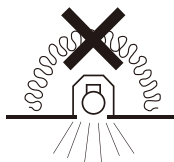
Installation:

! Electrical products can cause death or injury, or damage to property. If in any doubt about the installation or use of this product, consult a competent electrician.

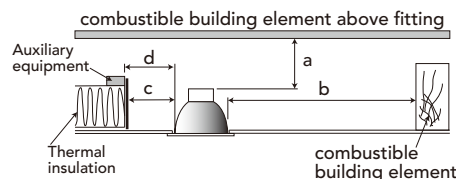
- 1 Ensure mains supply is switched off before commencing installation.
- 2 Mark ceiling with appropriate cut-out size. Before cutting, ensure that the hole does not impinge on joists, pipe work, cables or other building services.
- 3 Ensure that neither luminaire nor driver is covered by thermal insulation. Ensure that there is at least 50mm of free space above and 100mm around the luminaire to avoid overheating.
- 4 Connect driver primary to power supply (Brown –Live, Blue – Neutral), and place the driver above the insulation.
- 5 Attach driver to fitting by the quick fix connector
- 6 Hold spring clips vertically against side of the fitting, push fitting into cut out and allow springs to come down

Note: Product technical information and specification may change over time without prior notification

Safety instruction:



Luminaires not suitable for covering with thermally insulating material.



Dimension	Clearance
a	50mm
b	100mm
c	100mm
d	50mm

Information for the Product user

1. Please note the requirement to dispose of Waste Electrical & Electronic Equipment separately from household waste (WEEE marked with crossed out wheelie bin symbol).
2. Please consider your role in contributing to re-use and recycling by returning this product at end of life to a collection centre for waste electrical equipment or a Civic Amenity site, or to a retail outlet from which you are purchasing a replacement.
3. This equipment may contain substances that are hazardous to health and the environment if disposed of carelessly. It is important that it is separated from normal household waste and recycled in the WEEE chain
4. The "crossed out wheelie bin symbol" on a product indicates this equipment must not be disposed of in normal household waste, but should be disposed of according to local WEEE regulations

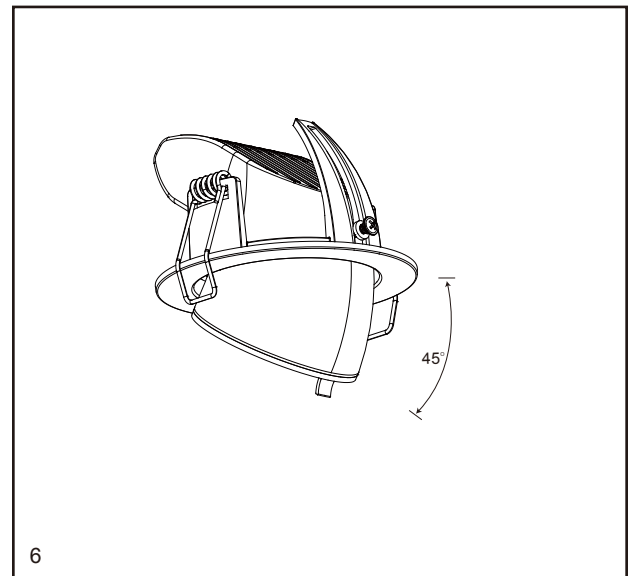
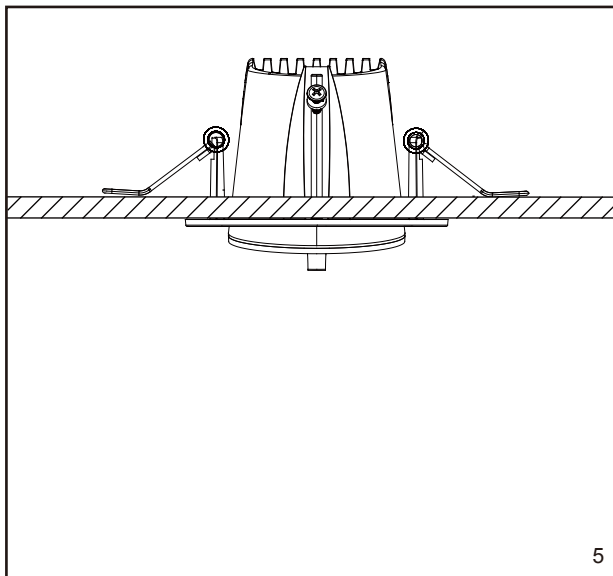
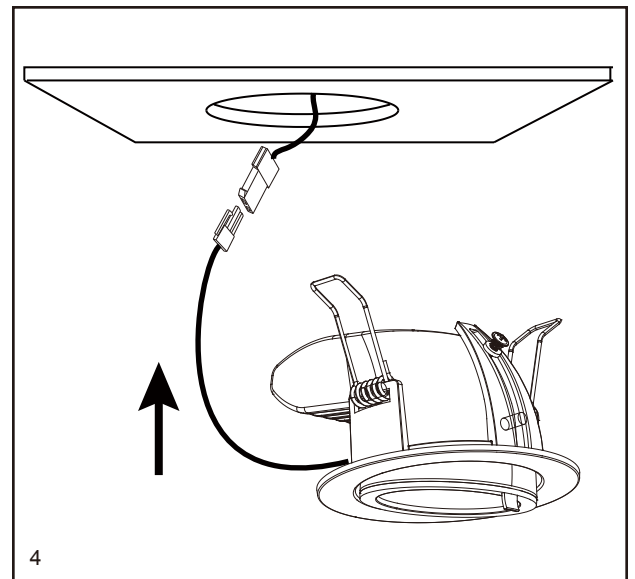
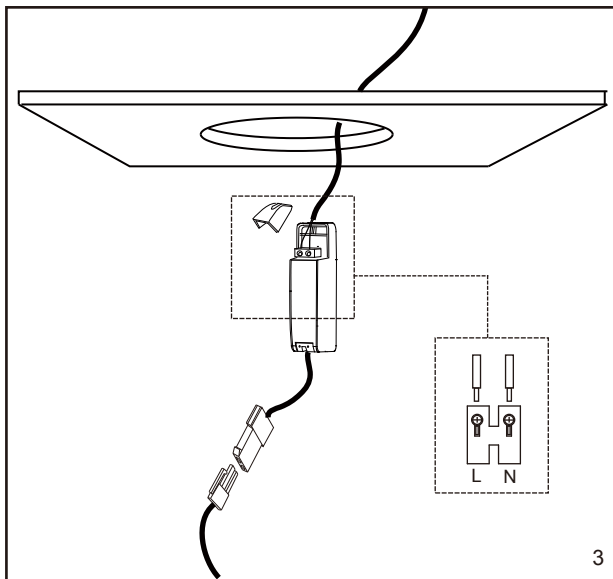
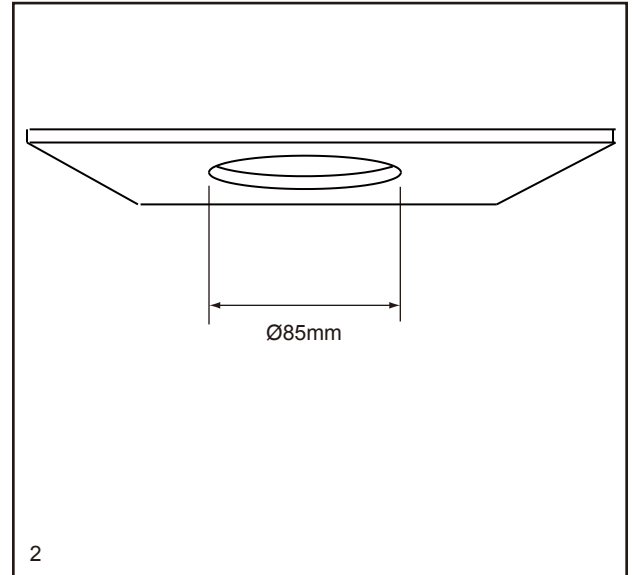
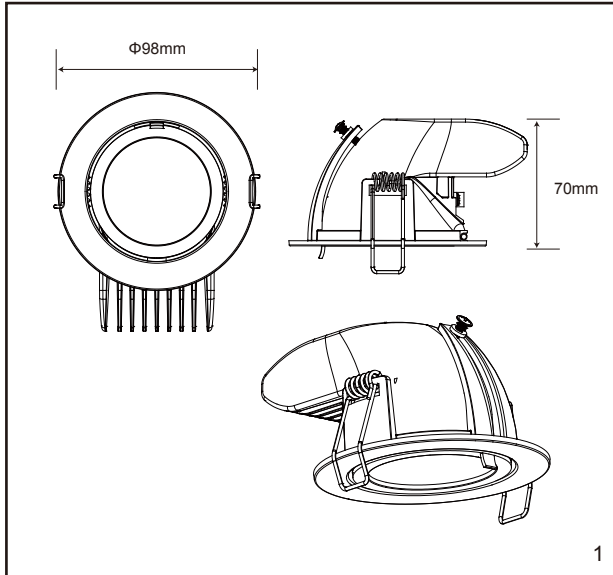
The Installation must be carried out by an electrician

LED Group
Western Retail Park
Nangor Road
Dublin 12
Ireland

Tel: +353 1 7099000
Fax: +353 1 7099060
Email: info@led.ie
Website: www.led.ie



Installation diagram:



The Installation must be carried out by an electrician

LED Group
Western Retail Park
Nangor Road
Dublin 12
Ireland

Tel: +353 1 7099000
Fax: +353 1 7099060
Email: info@led.ie
Website: www.led.ie

