

IMPACT 9W 108MM DIMMABLE DOWNLIGHT WITH INTEGRATED DRIVER, WARM & COOL WHITE

RC9WDLWCW-01 & RC9WDLWW-01

PLEASE READ INSTRUCTION BEFORE COMMENCING INSTALLATION AND RETAIN FOR FUTURE REFERENCES.
! Electrical products can cause death or injury, or damage to property. If in any doubt about the installation or use of this product, consult a competent electrician

Note:

Product technical information and specification may change over time without prior notification. For the latest technical information please visit our web site www.ledgrouprobust.com.au

Specifications

9W LED Downlight with White finish, available with Warm White and Cool White LEDs. Light output similar to 50W halogen lamp.

Code:	RC9WDLWW-01	RC9WDLWCW-01
Voltage:	220V-240V~50/60Hz	220V-240V~50/60Hz
Power:	9W	9W
Lumen:	700lm	750lm
CCT:	3,000K	4,000K
CRI:	80	80
Beam angle:	100°	100°
PF:	0.95	0.95
IP:	44	44
Ta range:	-10°C~+35°C	-10°C~+35°C
Safety class:	Class II	Class II
Diameter:	Ø108mm	Ø108mm
Depth:	60mm	60mm
Cutout:	Ø92mm	Ø92mm
Weight:	0.21Kg	0.21Kg
Installation:	Recessed mounting	Recessed mounting
Warranty:	3 years	3 years

Suitable for mounting on normally flammable surface
Complies with AS/NZS60598.1:2003;
AS/NZS60598.2.2:2001; AS/NZS61347.1:2002,
IEC61347-2-13:2006; AS/NZS CISPR 15:2011

Safety instruction

Warning

Luminaire marked as CA 80 according to AS/NZS60598-2.2. Type CA 80, closed and abutted, building insulating material that can be safely exposed continuously to temperatures up to 90°C must not cover but only closely about the sides of the luminaire.

Rating in accordance with AS/NZS 60598.2.2 only applies when luminaires are installed in a ceiling with suitably qualified insulation material. Building insulation abutting or within 100mm horizontally of the luminaire must meet the following requirements;

a) Be of a type that can maintain its dimensions and structural integrity when exposed to the maximum surface temperatures of the class of luminaire for the appropriate product. In this case, being 90°C for luminaire CA 80.

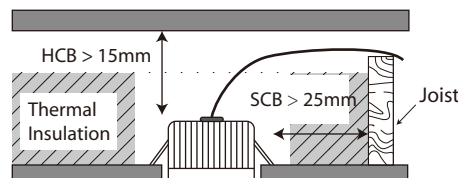
b) Be of a type that can withstand a 30 second needle flame test carried out in accordance with AS/NZS 60695.11.5 with the flame applied to all surfaces of the test sample. Loose fill insulation as defined in NZS 4246 is not permitted to abut, cover, or be used anywhere near this luminaire.

The installation must be carried out by a suitably qualified person.

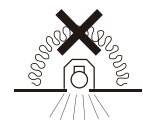
Caution;

Recessed Luminaires may pose an increased risk of fire or property damage if not installed according to the instructions provided.

As specified in AS/NZS 60598.1, AS/NZS 60598.2.2, and AS/NZS 3000: 2007 Clause 4.5.2.3.3(a), the fitting complies with the requirements for the F Mark, meaning that the temperature of the fitting does not exceed 90°C when abutted with thermal insulation material.



Risk of Fire
Required clearance from structural members and building element
SCB = 25mm HCB = 15mm

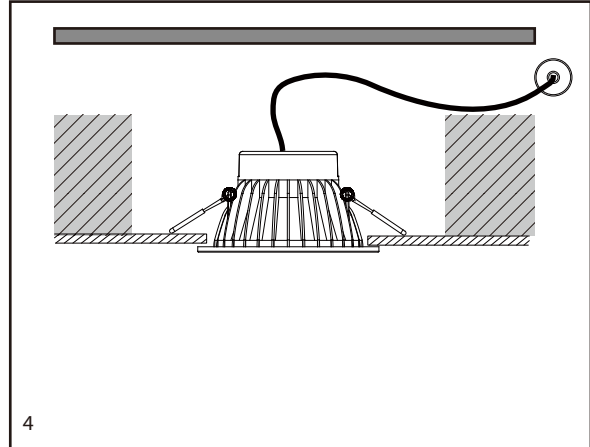
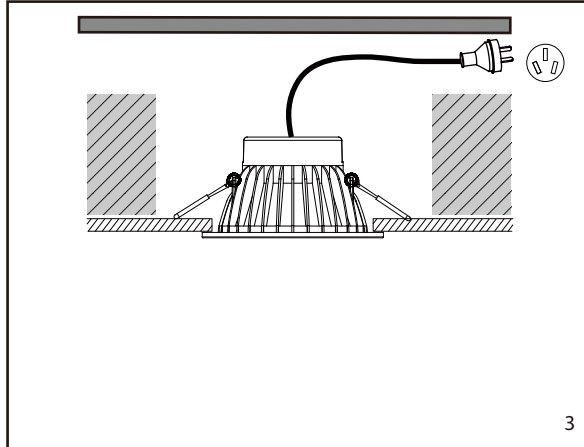
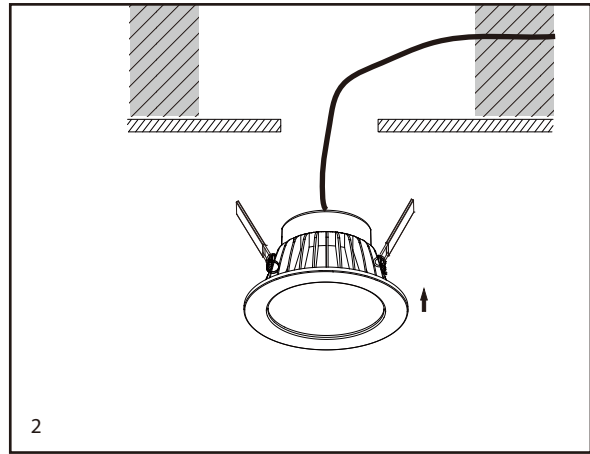
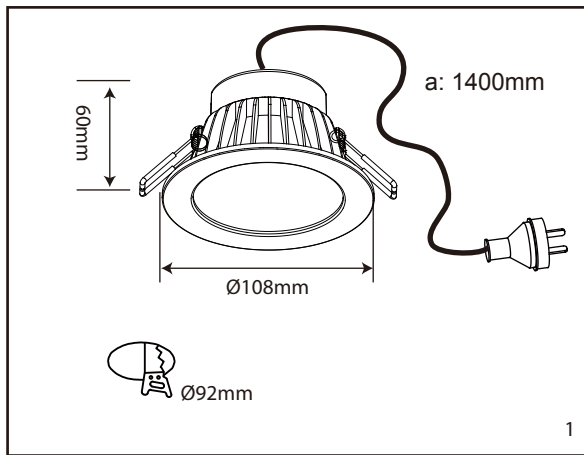


Luminaires not suitable for covering with thermally insulating material.

The Installation must be carried out by an electrician

Installation diagram

1. Ensure mains supply is switched off before commencing work
2. Before cutting, ensure that the hole does not impinge on joists, pipe work, cables or other building services
3. This luminaire requires a round hole $\text{Ø}92\text{mm}$ to be cut into the ceiling for correct installation.
4. Hold retention spring vertically against heat sink, push fitting through the cut-out until the springs come down on the upper side of the plasterboard. Ensure that the fitting is secure and the bezel is tight against the ceiling
5. Connect the plug to AC power supply.



The Installation must be carried out by an electrician